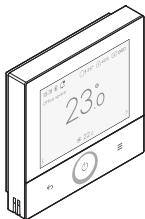




Installation manual

Madoka Plus wired remote controller

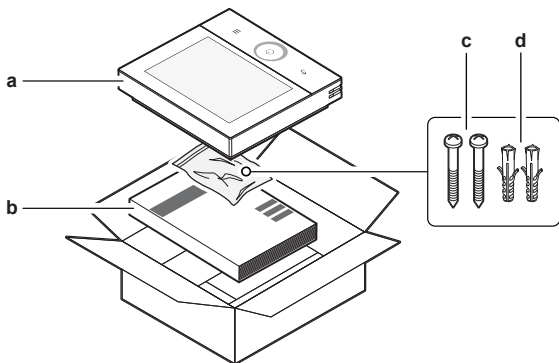


BRC1K

Installation manual
Madoka Plus wired remote controller

English

1

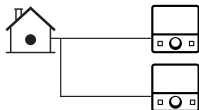


2

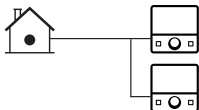
2.1



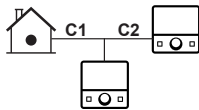
2.3



2.2



2.4



Ø	2.1	2.2	2.3	2.4
0.75 mm ²	≤300 m	≤100 m	≤200 m	C1 + C2: ≤100 m
1.00 mm ²		≤125 m	≤250 m	C1 + C2: ≤125 m
1.50 mm ²		≤200 m	≤300 m	C1 + C2: ≤200 m

3

3.1



A	30–50 mm
B	5 mm

3.2



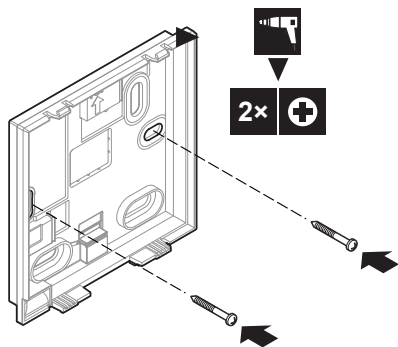
4



5



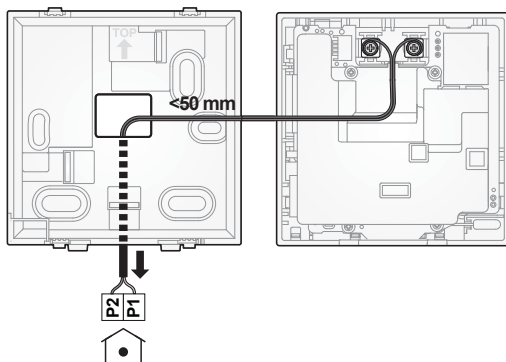
6



7



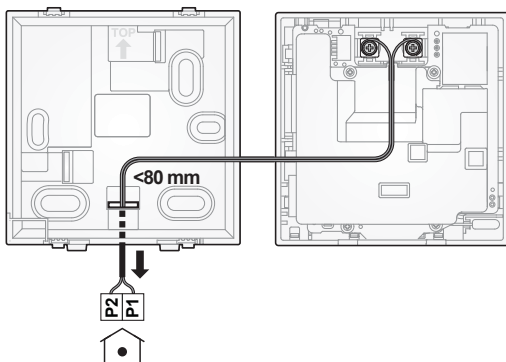
8



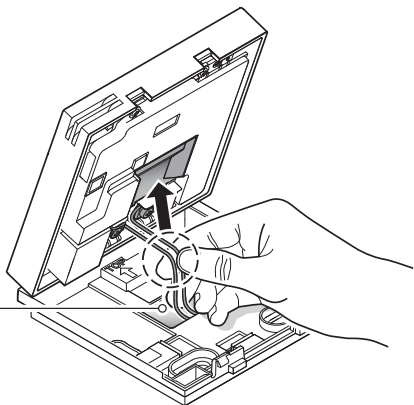
9



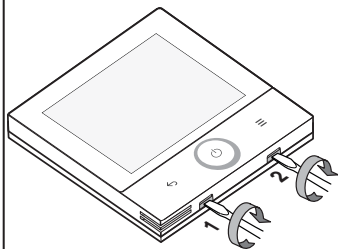
10



11



12



13

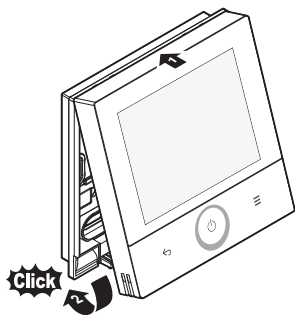


Table of contents

1	About this document	8
2	Specific installer safety instructions	9
3	About the box	10
	3.1 To unpack the controller	10
4	Preparation	10
	4.1 Wiring requirements	10
	4.2 Installation site requirements	11
5	Installation	11
	5.1 Opening the controller	11
	5.1.1 To open the controller	11
	5.2 Mounting the controller	12
	5.2.1 To mount the controller	12
	5.3 Connecting the electrical wiring	12
	5.3.1 To connect the electrical wiring	13
	5.4 Closing the controller	13
	5.4.1 To close the controller	13
6	Starting up the system	13
7	Technical specifications	14

1 About this document

Target audience

Authorised installers

Documentation set

This document is part of a documentation set. The complete set consists of:

- **Installation manual:**
 - Installation instructions
- **Installer and user reference guide:**
 - Extended installation and operation information
- **Declaration of conformity:**



INFORMATION: Declaration of conformity

Hereby, Daikin Europe N.V. declares that the radio equipment type BRC1K is in compliance with the Directive 2014/53/EU. The original declaration of conformity is available from the BRC1K product pages.

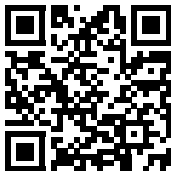
2 Specific installer safety instructions

The documentation set for each of the variants is available from the BRC1K product pages:

PD51W



PD51K



<https://qr.daikin.eu/?N=BRC1KPD51W> <https://qr.daikin.eu/?N=BRC1KPD51K>



INFORMATION: Madoka Assistant in-app documentation

The controller only allows for basic settings and operation. Advanced settings and operation are performed via the Madoka Assistant app. For more information, see the app and its in-app documentation. The Madoka Assistant app is available from Google Play and the Apple Store.

The latest revision of the supplied documentation is published on the regional Daikin website and is available via your dealer.

The original instructions are written in English. All other languages are translations of the original instructions.

2 Specific installer safety instructions

Always observe the following safety instructions and regulations.



NOTICE

When the controller is used as room thermostat, select an installation location where the average temperature in the room can be detected.



NOTICE

During the installation of the controller, keep the installation environment dust-free in order to avoid any particles entering the PCB side of the controller. Close or cover the controller to protect against dust.



NOTICE

When mounting the rear casing to a flush-mounted electrical installation box inside a wall, make sure that that wall is completely flat.

3 About the box



NOTICE

Be careful not to deform the rear casing by overtightening the mounting screws.



NOTICE

The wiring for connection is NOT included.



NOTICE

When wiring, run the wiring away from the power supply wiring in order to avoid receiving electric noise (external noise).



NOTICE

When the remote controller casing is open during installation, be careful not to damage the flat foil cables.



CAUTION

NEVER touch the internal parts of the controller.



CAUTION

When closing the controller, be careful not to pinch the wiring.



NOTICE

To prevent damage, make sure the front of the controller is clicked into the rear casing securely.

3 About the box

3.1 To unpack the controller

- 1 Open the box.
- 2 Separate the accessories (see Figure 1).

- a Remote controller
- b Installation manual
- c Screws
- d Wall plugs (Ø4.0×20)

4 Preparation

4.1 Wiring requirements

All wiring must comply with the following requirements:

Use flexible, double insulated sheathed vinyl cord or cable (stranded, 2 wires) for any wiring between remote controllers and indoor units. Determine the maximum wiring length for each situation based on Figure 2.

4.2 Installation site requirements

- The controller is designed to be wall-mounted in dry, indoor locations only.
- Make sure the installation surface is a flat and vertical non-combustible wall.
- Mind the spacing installation guidelines as defined in Figure 2. When mounting multiple controllers in close proximity to each other, ensure a minimum of 5 mm of horizontal space between the different controllers (Figure 2.2).



NOTICE

When the controller is used as room thermostat, select an installation location where the average temperature in the room can be detected.

Do NOT install the adapter in the following places:

- In places that are affected by outside air or air draught due to e.g. door opening/closing.
- In places where it is exposed to direct sunlight.
- In places where it is near a heat source.

Also see "[7 Technical specifications](#)" ▶ 14] for more information regarding the intended operating environment of the controller.

5 Installation



NOTICE

During the installation of the controller, keep the installation environment dust-free in order to avoid any particles entering the PCB side of the controller. Close or cover the controller to protect against dust.

5.1 Opening the controller

5.1.1 To open the controller

1 Insert a broad, flat head screwdriver (5~6 mm width) in the slots on the bottom of the controller casing (see Figure 12).

2 Slowly twist the screwdriver without pushing.

Result: The controller casing opens.

5 Installation

5.2 Mounting the controller

Before you can mount the controller, determine the wiring routing, and accordingly, remove a piece of the controller's rear casing according to Figure 4. The wiring can be routed from the left (a), the top (b), the rear (c), or the bottom (d).

When routing the wiring from any other side than the rear, use a knife to cut away the piece of plastic in order to open the routing channel. When routing the wiring from the rear, push out the knockout hole in the center of the rear casing with your thumb.

5.2.1 To mount the controller

- 1 Take the screws and plugs from the accessory bag.
- 2 Mount the rear casing to a flat surface (see Figure 4).



INFORMATION

If required (e.g. when mounting to a flush-mounted electrical installation box), drill out the drill holes and mount the rear casing as illustrated in Figure 6.



NOTICE

When mounting the rear casing to a flush-mounted electrical installation box inside a wall, make sure that that wall is completely flat.



NOTICE

Be careful not to deform the rear casing by overtightening the mounting screws.

5.3 Connecting the electrical wiring



NOTICE

The wiring for connection is NOT included.



NOTICE

When wiring, run the wiring away from the power supply wiring in order to avoid receiving electric noise (external noise).



NOTICE

When the remote controller casing is open during installation, be careful not to damage the flat foil cables.

5.3.1 To connect the electrical wiring

Connect controller terminals P1P2 to indoor unit terminals P1P2 (see Figures 7~10). Depending on the entry point of the wiring in the rear casing, the wiring is routed in a slightly different way. In all cases, strip the cord or cable starting from the entry point.

When routing the wiring from the top or the rear (Figure 7~8), ensure that the wiring is pulled backward so that it fits neatly into the recess on the back side of the controller. Additionally, make sure to not cross the 2 wires during installation (see Figure 11). To ensure that the controller can be closed, respect the maximum wire length that the controller enclosure can accommodate. This is the length of the wires between the entry point and the P1P2.

Wiring entry point	Maximum wire length in enclosure
Top (Figure 7)	100 mm
Rear (Figure 8)	50 mm
Left (Figure 9)	100 mm
Bottom (Figure 10)	80 mm

5.4 Closing the controller



CAUTION

NEVER touch the internal parts of the controller.



CAUTION

When closing the controller, be careful not to pinch the wiring.



NOTICE

To prevent damage, make sure the front of the controller is clicked into the rear casing securely.

5.4.1 To close the controller

- 1 Align the front of the controller to the rear casing, starting from the top (see Figure 13).
- 2 Carefully push the front of the controller downwards to click it into the rear casing.

6 Starting up the system

The controller gets its power from the indoor unit. It will start up as soon as it is connected. For the controller to be operable, make sure the indoor unit is powered on. Once the controller is powered, the controller will automatically start up. If it is the first and only controller that is connected to the indoor unit, it will automatically get designated as a "Normal" master controller.

7 Technical specifications

BLE

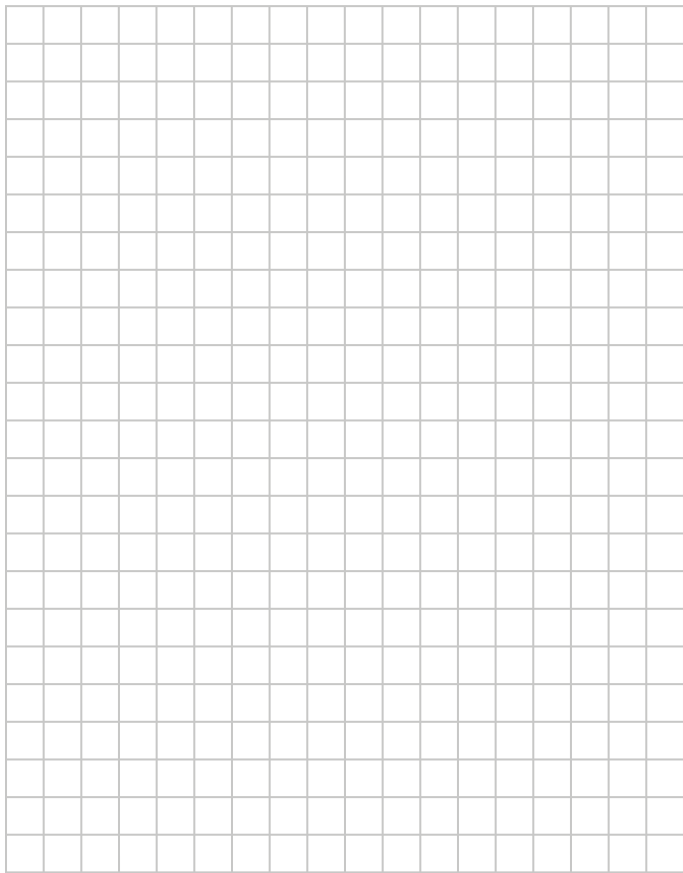
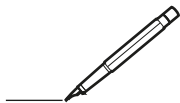
Item	Specification
Frequency band	2.4 GHz
Communication standard version	5.4
Communication	5 m or more
Transmit power	+0 dBm
Compatible channels	Channel 0~39

Wireless sensor communications

Item	Specification
Radio	IEEE 802.15.4
Transmit power	+0 dBm
Compatible channels	Channel 11~26
Frequency hopping	Enabled

Operating environment

Item		Specification	
Operating conditions	Ambient temperature	-10°C~50°C	
	Ambient humidity	95% RH or less (no condensation)	
Power supply	P1P2	Rated voltage	16 V DC (± 5%)
		Rated current consumption	125 mA total (dual BRC1K master/slave)
Installation environment		Indoor installation only (no in-device installation)	





V005 26

Maximum Voltage: DC 17.6 V
Power Consumption: Max 1.94 VA



4P728767-1 0000000Z

DAIKIN EUROPE N.V.

Zandvoordestraat 300, B-8400 Oostende, Belgium

4P728767-1 2026.02

Copyright 2025 Daikin